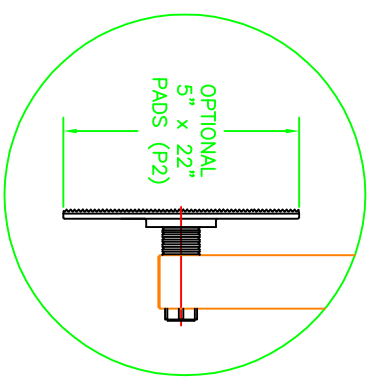


ACTUATOR POSITION #1

DIM. A1	DIM. A2	DIM. D
38"	16"	22"

ACTUATOR POSITION #2

DIM. A1	DIM. A2	DIM. D
39"	15"	25"



NOTE: APPROXIMATE ASSEMBLED WEIGHT OF 290 lbs.



**QUPTEC INC**  
 683 BAYVIEW DRIVE  
 BARRIE ONTARIO CANADA L4N 9A5  
 TEL: (705)721-0101 FAX: (705)721-0401

REVISION		QSE2000S MOLD MANIPULATOR	QSE2000S - LAYOUT	Scale NTS	Material
No	DATE				
1			DD		QSE2000S
2					
3					
4					
5			Treed		