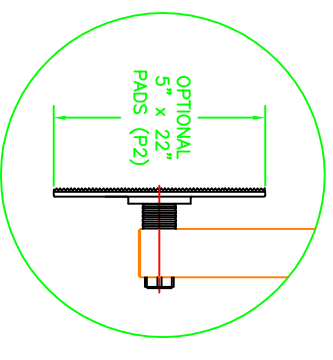


ACTUATOR POSITION #1

DIM. A1	DIM. A2	DIM. D
57"	21"	27"

ACTUATOR POSITION #2

DIM. A1	DIM. A2	DIM. D
59"	19"	30"



NOTE: APPROXIMATE ASSEMBLED WEIGHT OF 350 lbs.



QUPTEC INC

683 BAYVIEW DRIVE
BARRIE, ONTARIO CANADA L4N 9A5
TEL: (709)721-0101 FAX: (709)721-0401

QSE2000L MOLD MANIPULATOR

QSE2000L - LAYOUT

REVISION		DATE		BY	
1					
2					
3					
4					
5					

Drawn by	DD	Scaled	NTS	Material	
Chk'd		Date		Drawing No.	
Traced		App'd		QSE2000L	